



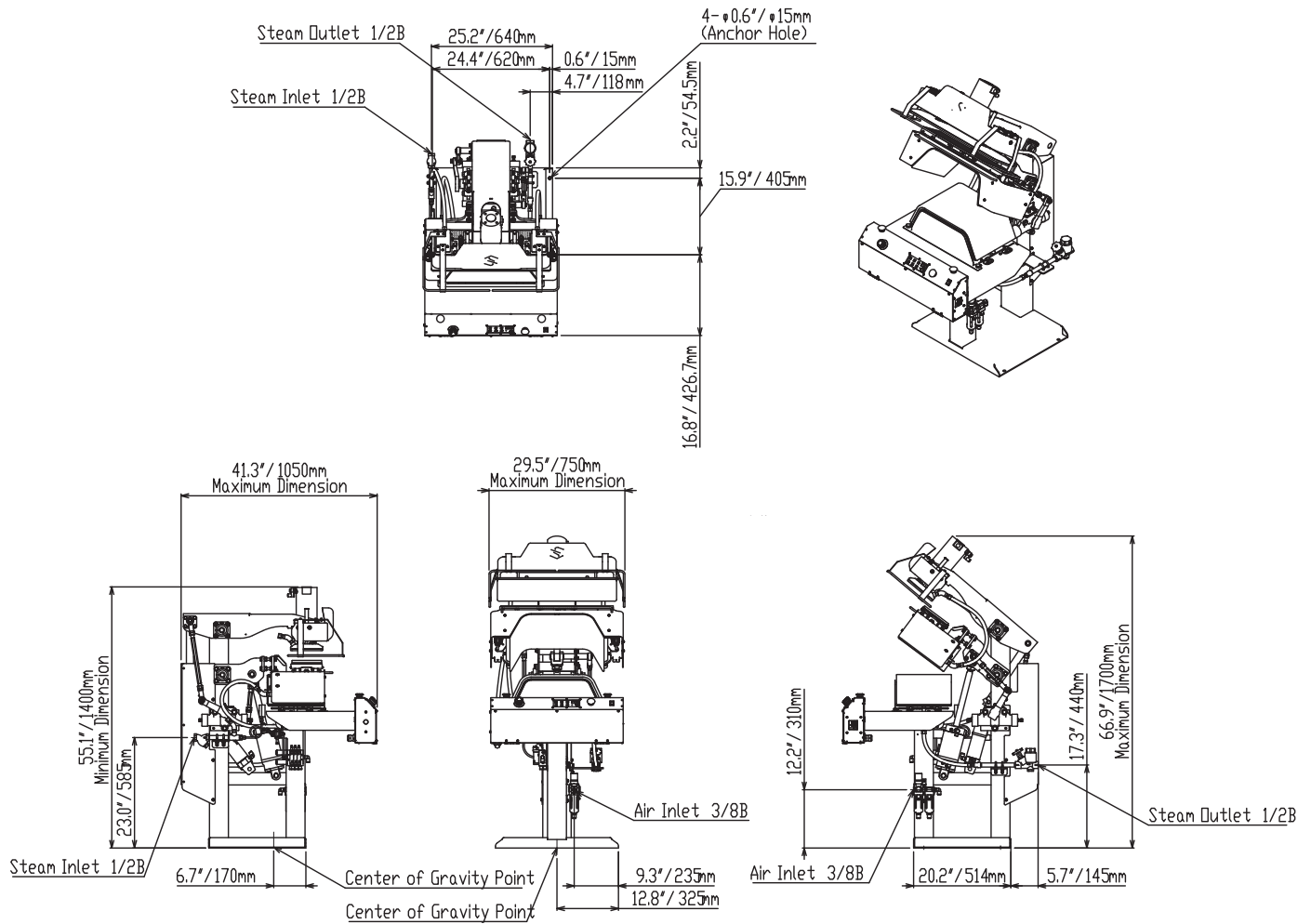
High-Speed Tensioning Collar and Cuff

LP-6000U



Superior Quality

SPECIFICATIONS



High-Speed Tensioning Collar and Cuff	
Model	LP-6000U
Power	220V 1ph 0.4A
Air Pressure	0.6 MPa
Air Consumption	26 litre / cycle
Air Pipe	3/8B
Steam Pressure	90 psi minimum
Steam Consumption	1 BHP
Steam Pipe	Inlet: 1/2B, Outlet: 1/2B
Weight	572lb
Dimension (W x D x H)	29 1/2" x 41 3/8" x 67" (inch)

